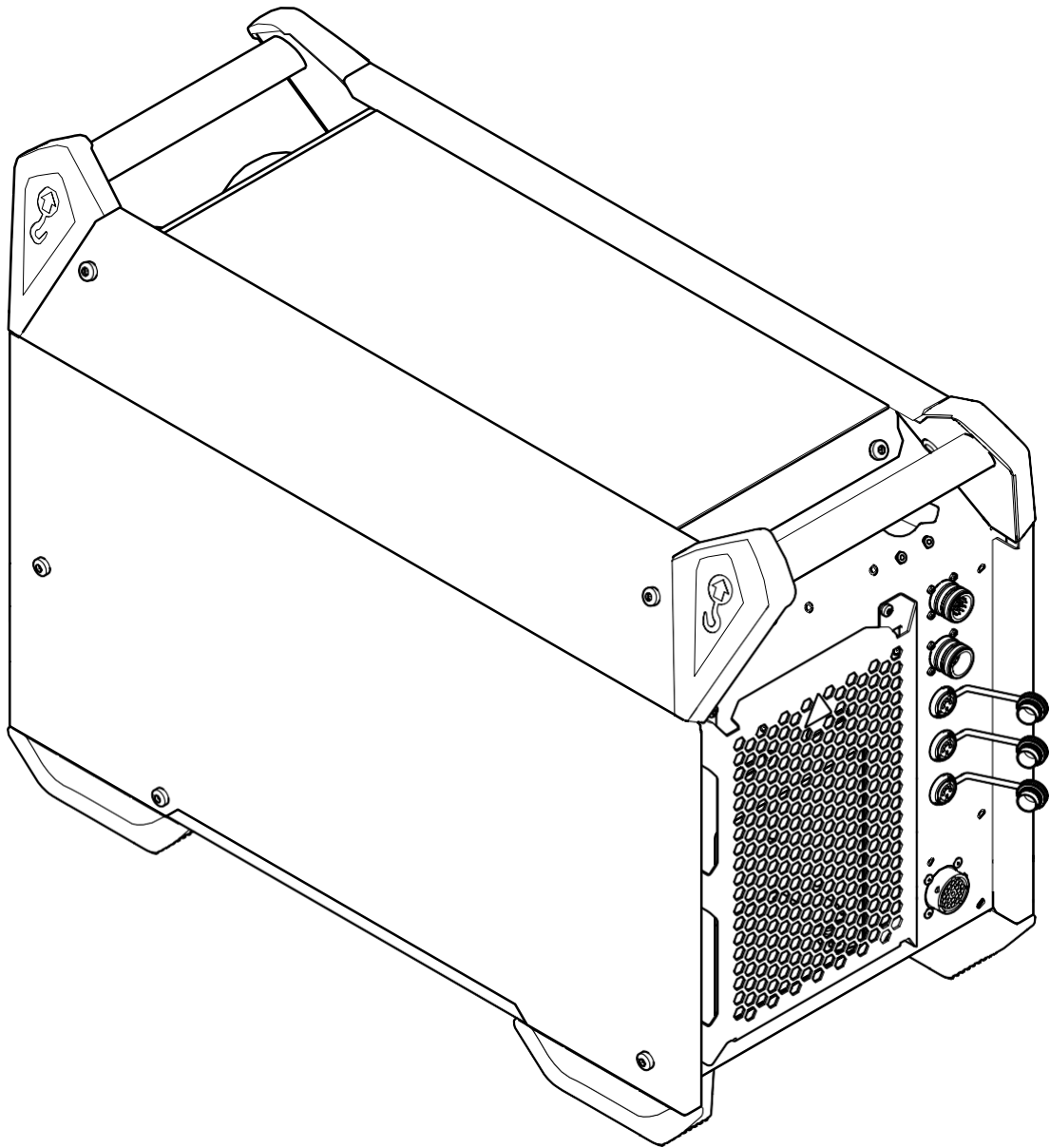


# *Checkmaster 600 R*



## **Spare parts list**

<b>Ordering number</b>	<b>Denomination</b>	<b>Type</b>	<b>Notes</b>
HKS0020011	Loadbank	Checkmaster 600R	110-240 V
HKS0020012	Loadbank	Checkmaster 600R P350/500	110-240 V Process sensor built in
HKS0020013	Loadbank	Checkmaster 600R P350/500 + C20	110-240 V Process sensor and Current sensor built in

Spare parts are to be ordered through the nearest ESAB agency. Kindly indicate type of unit, serial number, denominations and ordering numbers according to the spare parts list.

Maintenance and repair work should be performed by an experienced person, and electrical work only by a trained electrician. Use only recommended spare parts.

TABLE OF CONTENTS

---

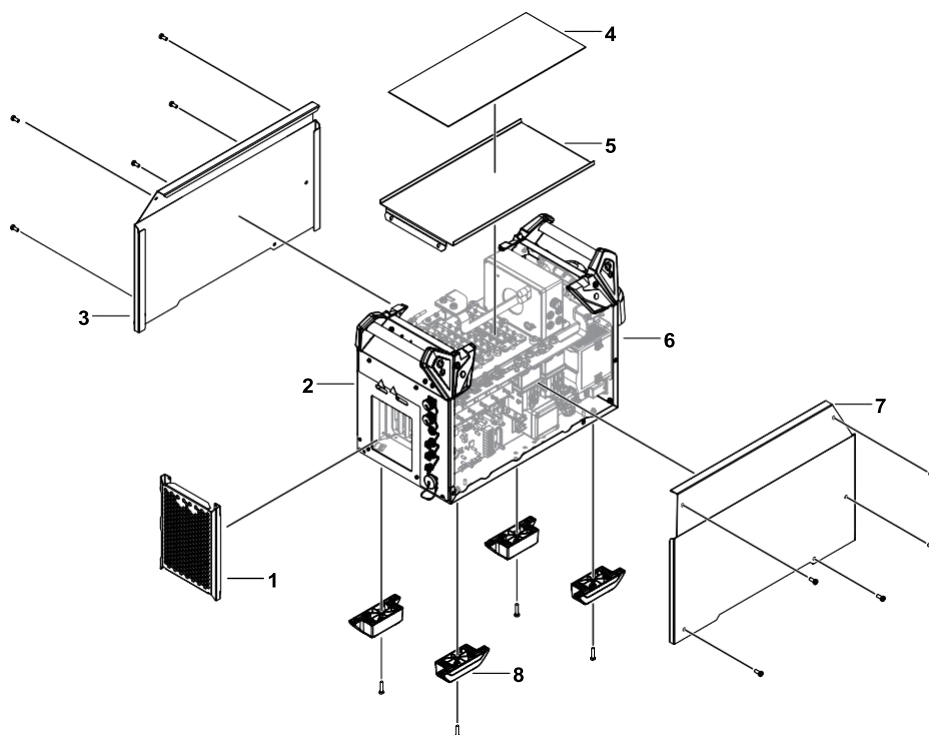
1	<b>SPARE PARTS</b> .....	4
1.1	<b>Housing Module</b> .....	4
1.2	<b>PCBA</b> .....	5
1.3	<b>Power Unit</b> .....	6

# 1 SPARE PARTS

## 1.1 Housing Module

C = component designation in the circuit diagram

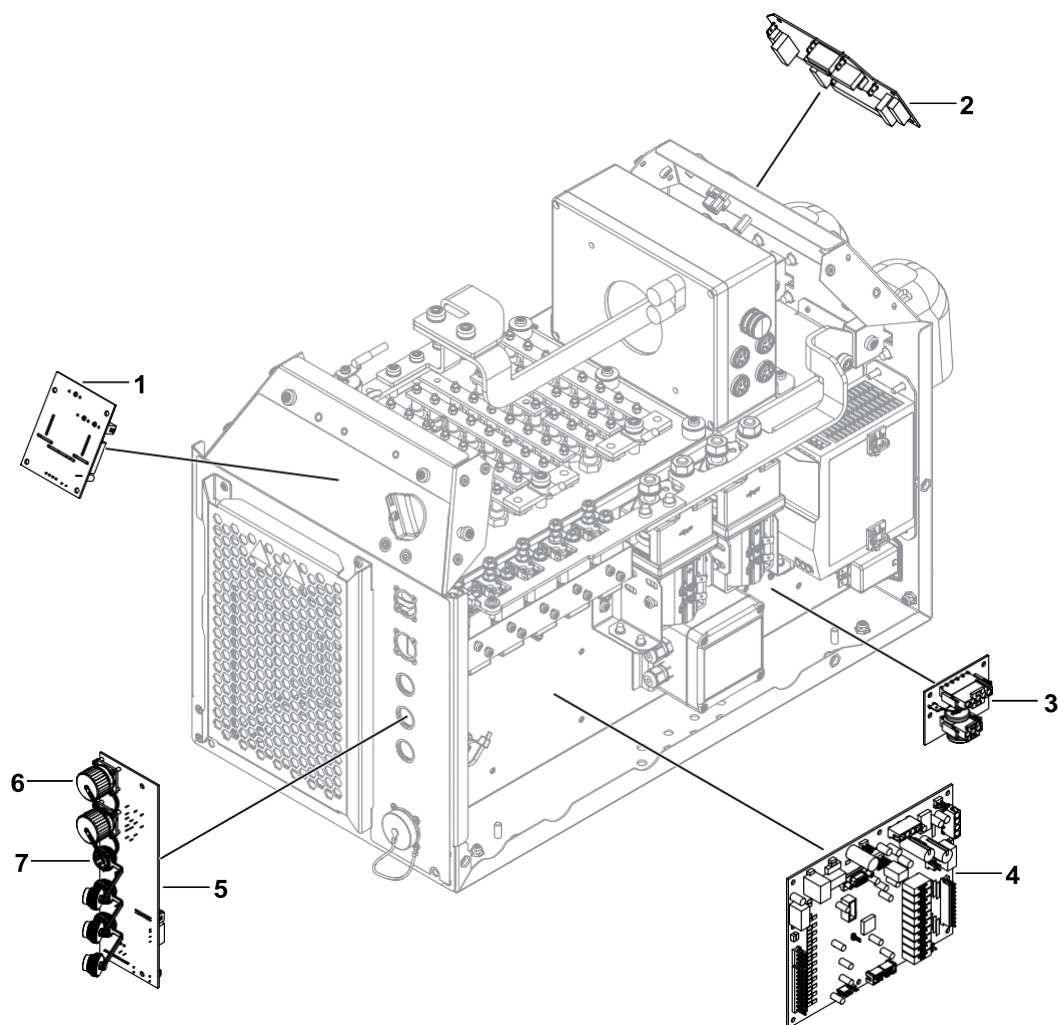
Item	Qty	Ordering no.	Denomination	Notes	C
1	1	HKS 010 316 0	Front grill Assembly		
2	1	HKS 010 301 1	Frame Frontplate Assembly		
3	1	HKS 010 315 0	Side panel, right		
4	1	0465 331 001	Rubber mat		
5	1	0465 196 001	Top pane		
6	1	HKS 010 302 1	Frame Backplate Assembly		
7	1	HKS 010 314 0	Side panel, left		
8	4	0465 415 001	Foot		



## 1.2 PCBA

**C = component designation in the circuit diagram**

Item	Qty	Ordering no.	Denomination	Notes	C
1	1	HKS 010 139 1	Power Board		AP60
2	1	HKS 010 138 1	TIG Protection Board		AP40
3	1	HKS 010 140 0	Filter Board		AP30
4	1	HKS 010 137 1	Control Board		AP10
5	1	HKS 010 136 1	Connection Board		AP20
6	1	HKS 000 246 2	Dust Cap 19 Pin		
7	1	HKS 900 002 3	Dust Cap 4/5 Pin		

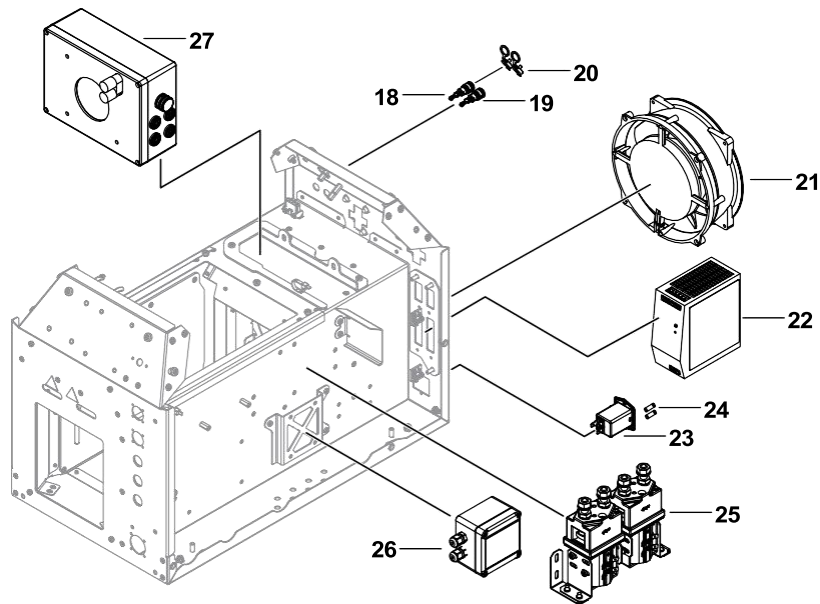
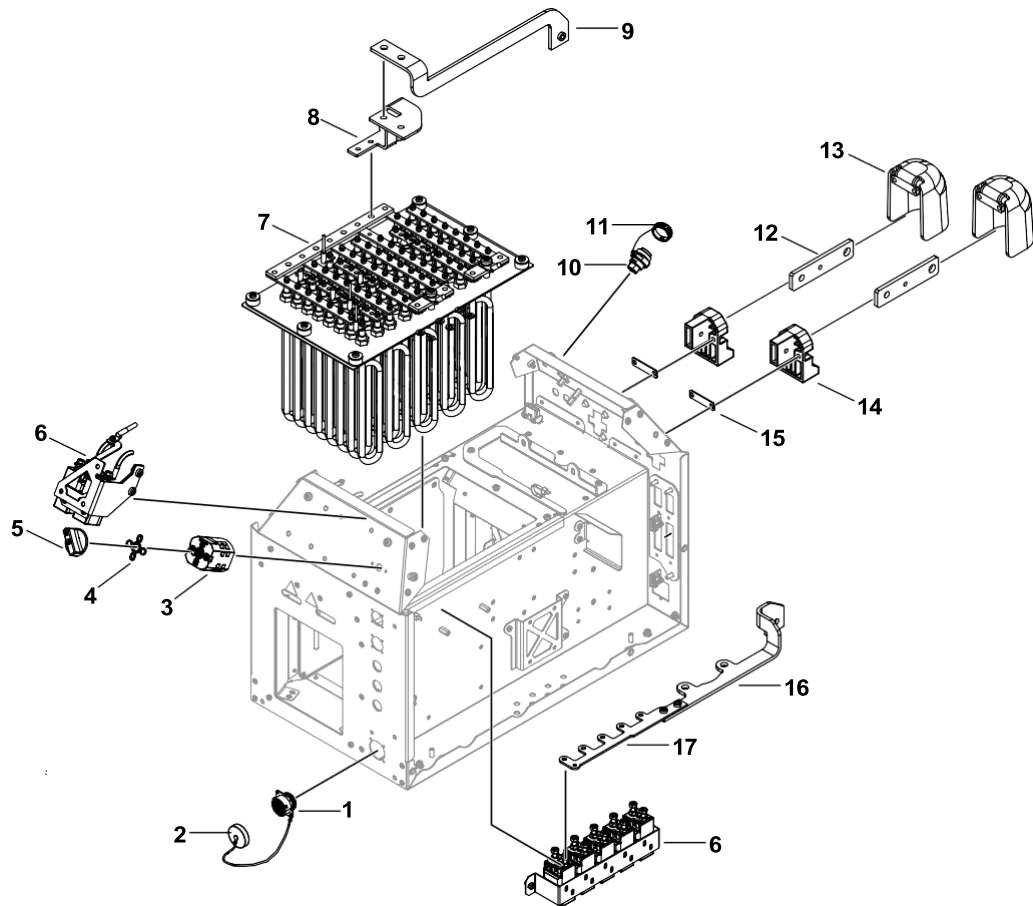


## 1.3 Power Unit

**C = component designation in the circuit diagram**

Item	Qty	Ordering no.	Denomination	Notes	C
1	1	HKS 010 180 1	External Control Socket		
2	1	HKS 900 003 0	Dust Cap External Control		
3	1	HKS 900 002 2	Mains Switch		
4	1	HKS 900 002 0	Mains Switch Gasket		
5	1	HKS 900 002 1	Mains Power Knob		
6	7	HKS 900 002 3	Relay SW 60		
7	1	HKS 000 246 2	Resistor Block		
8	1	HKS 010 122 0	Busbar Resistor Outlet		
9	1	HKS 010 313 0	Busbar P2000 outlet Assembly		
10	1	HKS 010 185 1	Trigger Socket		
11	1	HKS 900 002 9	Dust Cap Trigger Socket		
12	2	445 939 001	Rail-Bar Connector		
13	2	445 588 001	Rubber Cover Bar-Connector		
14	2	445 587 001	Plastic-Bar Connector		
15	2	446 725 001	Protective Cover Fixing Plate		
16	1	HKS 010 119 1	Busbar SW200 Relay Lugs		
17	1	HKS 010 311 0	Busbar SW60 Relay Lugs Assembly		
18	1	HKS 900 002 5	Voltage Socket Black		
19	1	HKS 900 002 4	Voltage Socket Red		
20	2	HKS 010 119 0	Dust Cap Voltage Socket		
21	1	HKS 010 203 1	Fan		
22	1	HKS 900 001 0	Power Supply		
23	1	HKS 900 001 5	Power Entry Modul	Includes two Fuse 4A T 250V 5x20mm	
24	2	HKS 900 001 6	Fuse 4A T / 250 V / Glass Cartridge Fuse, 5 x 20mm		
25	2	HKS 000 246 1	Relay SW200	GIN without spacing	
26	1	HKS 000 238 1	P350/500 Process Sensor	GIN without spacing	AP70
27	1	HKS 010 150 0	C20 Current Sensor		AP50

1 SPARE PARTS





# A WORLD OF PRODUCTS AND SOLUTIONS.



For contact information visit <http://esab.com>

ESAB AB, Lindholmsallén 9, Box 8004, 402 77 Gothenburg, Sweden, Phone +46 (0) 31 50 90 00

<http://manuals.esab.com>

